



## **BorgWarner Presents New Products for the Aftermarket at Automechanika Frankfurt 2022**

- *Joint booth for BorgWarner's aftermarket brands: BorgWarner Aftermarket and Delphi Technologies present new products and future market opportunities*
- *Product highlights include Dual Clutch Modules and High Voltage Coolant Heater as well as solutions for light-weight bi-metallic brake discs and a repair program for Euro 6 heavy-duty vehicle diesel injectors*

*Frankfurt, Germany, September 13, 2022* – BorgWarner appears with its BorgWarner Aftermarket and Delphi Technologies brands together as one T.E.A.M (Technology Experts for the Aftermarket) at Automechanika Frankfurt 2022. The booth highlights BorgWarner's electrification solutions, supporting customers in unlocking future market opportunities, and leading the aftermarket into the next stage of e-mobility transformation. It also features demonstrations from product specialists, highlighting how decades of combined Original Equipment (OE) experience and technical know-how benefit both aftermarket dealers and workshops.

"Automechanika Frankfurt is the world's leading aftermarket trade fair, and we are thrilled to meet face to face with our industry partners once again," said Michael Boe, Vice President and General Manager, BorgWarner Emission, Thermal and Turbo Systems Aftermarket. "With products, services, and technologies that complement each other, we illustrate how our BorgWarner and Delphi Technologies brands are stronger together. They are both respected with a wide-ranging portfolio."

"Capitalizing on the strengths that our brands bring to the table benefits our customers and strengthens our position in the next phase of the e-mobility transformation coming to the automotive aftermarket. Our mission in the aftermarket is to continue supporting workshops and

their technicians to service and maintain the vehicles of today and tomorrow,” added Neil Fryer, Vice President and General Manager Delphi Technologies Aftermarket, a BorgWarner brand.

### **Dynamic Brands**

Under BorgWarner’s brand portfolio, which includes BorgWarner Aftermarket, BERU, Delphi Technologies, Delco Remy®, Wahler, and Hartridge, sits a sophisticated range of core products, including turbochargers, starters, alternators, ignition technologies, exhaust gas recirculation (EGR) technologies, OE-quality test equipment, and diagnostic hardware and software.

### **Technologies for Now and in the Future**

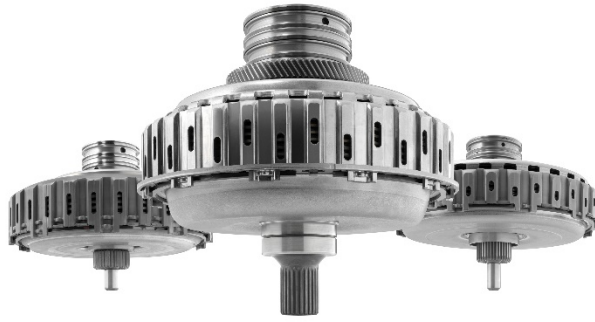
With innovative system solutions available now, aftermarket partners can count on technical reliability for the future and immediately tap into promising market prospects. The show serves as a platform for BorgWarner Aftermarket to launch new dual-clutch product family for automatic transmissions and High Voltage Coolant Heaters (HVCH) for battery and cabin heating in electric and hybrid electric vehicles. With the new product range, the know-how from the OE sector becomes accessible to the aftermarket.

Delphi Technologies by BorgWarner is showing two ranges of brake solutions at this year’s show. Launching at the end of 2022 is a range of light-weight bi-metallic brake discs featuring a new surface coating that delivers superior corrosion protection and premium quality appearance. They also preview a range of environmentally friendly brake pads designed for battery electric vehicles. Furthermore, Delphi Technologies by BorgWarner presents full-service solutions for Euro 6 heavy duty diesel vehicles, helping these vehicles meet critical emissions standards. The repair program is a cost-effective solution that includes parts, tooling, and training for Delphi Technologies Authorized workshops to grow their F2 injector service offerings.

The Hartridge CRi-Pro test bench adds complimentary diagnostics and coding for authorized Delphi Technologies workshops and is capable of comprehensive all-makes mode for non-authorized workshops seeking a test and coding solution for the latest generation of injectors. Visitors to the stand can learn about GDi pumps, injectors, and injector service kits that will be available later this year.

### **About BorgWarner**

For more than 130 years, BorgWarner has been a transformative global product leader bringing successful mobility innovation to market. Today, we’re accelerating the world’s transition to eMobility — to help build a cleaner, healthier, safer future for all.



[BorgWarner introduces Dual Clutch Modules to the Aftermarket at Automechanika.]

[Download Image](#) | [Learn More](#) | [Product Animation](#)

**Forward-Looking Statements:** This press release may contain forward-looking statements as contemplated by the 1995 Private Securities Litigation Reform Act that are based on management's current outlook, expectations, estimates and projections. Words such as "anticipates," "believes," "continues," "could," "designed," "effect," "estimates," "evaluates," "expects," "forecasts," "goal," "guidance," "initiative," "intends," "may," "outlook," "plans," "potential," "predicts," "project," "pursue," "seek," "should," "target," "when," "will," "would," and variations of such words and similar expressions are intended to identify such forward-looking statements. Further, all statements, other than statements of historical fact contained or incorporated by reference in this press release that we expect or anticipate will or may occur in the future regarding our financial position, business strategy and measures to implement that strategy, including changes to operations, competitive strengths, goals, expansion and growth of our business and operations, plans, references to future success and other such matters, are forward-looking statements. All forward-looking statements are based on assumptions and analyses made by us in light of our experience and our perception of historical trends, current conditions and expected future developments, as well as other factors we believe are appropriate under the circumstances. Forward-looking statements are not guarantees of performance, and the Company's actual results may differ materially from those expressed, projected or implied in or by the forward-looking statements.

You should not place undue reliance on these forward-looking statements, which speak only as of the date of this press release. Forward-looking statements are subject to risks and uncertainties, many of which are difficult to predict and generally beyond our control, that could cause actual results to differ materially from those expressed, projected or implied in or by the forward-looking statements. These risks and uncertainties, among others, include: supply disruptions impacting us or our customers, such as the current shortage of semiconductor chips that has impacted original equipment manufacturer ("OEM") customers and their suppliers, including us; commodities availability and pricing; competitive challenges from existing and new competitors including OEM customers; the challenges associated with rapidly-changing technologies, particularly as relates to electric vehicles, and our ability to innovate in response; uncertainties regarding the extent and duration of impacts of matters associated with the COVID-19 pandemic, including additional production disruptions; the difficulty in forecasting demand for electric vehicles and our electric vehicles revenue growth; potential disruptions in the global economy caused by Russia's invasion of Ukraine; the ability to identify targets and consummate acquisitions on acceptable terms; failure to realize the expected benefits of acquisitions on a timely basis; the ability to identify appropriate combustion portfolio businesses for disposition and consummate planned dispositions on acceptable terms; the failure to promptly and effectively integrate acquired businesses; the potential for unknown or inestimable liabilities relating to the acquired businesses; our dependence on automotive and truck production, both of which are highly cyclical and subject to disruptions; our reliance on major OEM customers; fluctuations in interest rates and foreign currency exchange rates; our dependence on information systems; the uncertainty of the global economic environment; the outcome of existing or any future legal proceedings, including litigation with respect to various claims; future changes in laws and regulations, including, by way of example, taxes and tariffs, in the countries in which we operate; impacts from any potential future acquisition or disposition transactions; and the other risks noted in reports that we file with the Securities and Exchange Commission, including

Item 1A, "Risk Factors" in our most recently-filed Form 10-K and/or Quarterly Report on Form 10-Q. We do not undertake any obligation to update or announce publicly any updates to or revisions to any of the forward-looking statements in this press release to reflect any change in our expectations or any change in events, conditions, circumstances, or assumptions underlying the statements.

**PR contact:**

Morvyn Lipinski

Phone: +49 6151 800 500-440

Email: [mediacontact.eu@borgwarner.com](mailto:mediacontact.eu@borgwarner.com)