



Delphi Knowledge Article Series

BMW Front Upper Control Arms

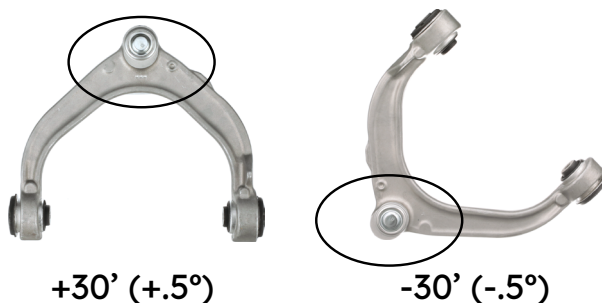
Effected Vehicles:

- 2007-2018 BMW X5
- 2008-2019 BMW X6



Delphi

In this knowledge article, we're exploring BMW front upper control arms. For clarification purposes, the control arms listed below, both right and left side front upper control arms are not adjustable but rather have a camber design of either +.5 degree or -.5 degree depending on the part number. Check camber values and if necessary, replace upper control arm with over or under-dimension variant.



DELPHI PIN	OE Numbers	Location	Ball pin center to bushing center dimension	Qualification
TC3889	31126863333	Left Upper CA	211 mm	+30' (0,5°) Camber setting
TC3890	31126863334	Right Upper CA		
TC3891	31126863335	Left Upper CA	201 mm	-30' (0,5°) Camber setting
TC3892	31126863336	Right Upper CA		
TC2328	31126863785	Left Upper CA	206 mm	Standard Fit
TC2329	31126863786	Right Upper CA		

Please review carefully to assist in selecting the correct Delphi part number.

Delphi's OE safety technology is fitted to millions of vehicles worldwide and we apply Delphi's OE expertise to our aftermarket steering portfolio. Delphi tests to the extreme for OE performance at every turn: our parts withstand temperatures below -40 degrees C and over 120 degrees C and are exposed to 720 hours of salt spray. Delphi's extensive dimensional and material analysis ensures the very best compatibility between the OE and aftermarket part.





Delphi Knowledge Article Series

BMW Front Upper Control Arms



Don't have the time or ability to travel for in-person training? No problem! Delphi offers a variety of virtual training opportunities led by ASE certified Master Trainers.

2026 Training Highlights

The 2026 program kicks off with an Advanced Diagnostics series, offering deeper system comprehension and practical troubleshooting techniques technicians can put to use right away.

Participation is free. Registration details are available at our [Garage 360](#) page.

Delphi is encouraging technicians and service professionals to take advantage of these educational opportunities and continue building diagnostic expertise through Garage 360. For additional virtual and in-person training options available throughout the year, please visit the [Garage 360](#) page.



Scan QR Code
[Garage 360](#)