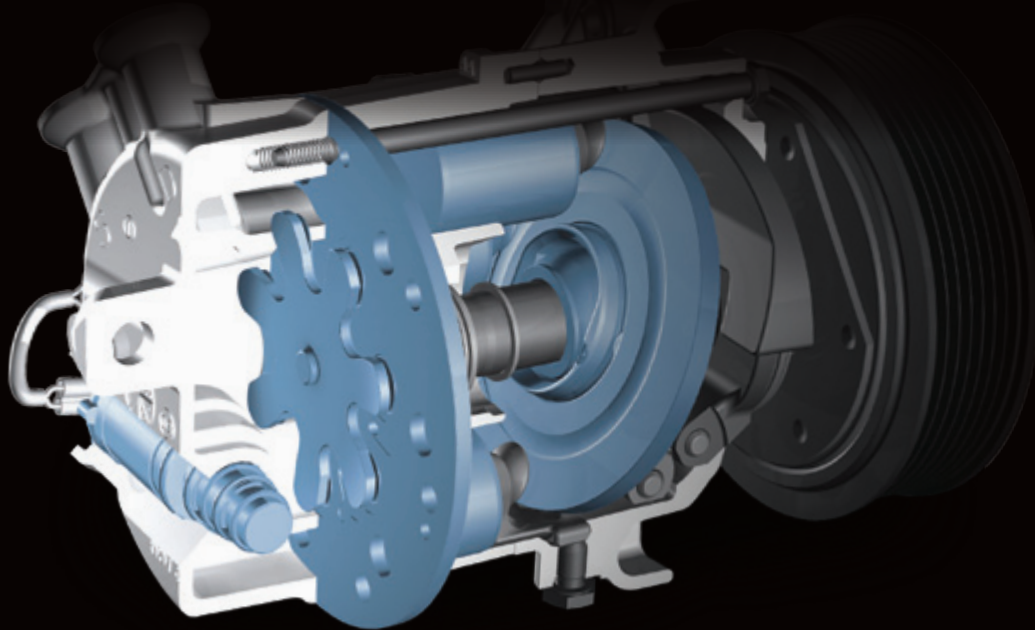




Delphi Service Centre Air Conditioning



Air conditioning has come a long way in recent years. Not long ago it was a luxury option. Now it is fitted as standard on most new vehicles. The technology has also changed. From fixed swash plate compressors to the latest generation variable displacement compressor technology, air conditioning now requires specialist training and equipment.

Add all this together and what have you got?
...a significant and very real service opportunity.

Our OE Intelligence

At Delphi, we've been managing air, liquids and temperature longer than any other Original Equipment (OE) supplier in the world. We've virtually perfected the science, and were first to integrate electronics, sensors and special algorithms into climate control systems to make them smarter, faster and better than ever before. This special Delphi technology creates a precise orchestration of vehicle air temperature that can be as sensitive as one-tenth of one degree. At Delphi, we call it Thermal Management Intelligence.

This expertise allows us to offer a broad OE and aftermarket solution including:

- > Cabin air filters > Receiver driers / Accumulators
- > Orifice tubes and expansion valves > Condensers
- > Radiators > Compressors > Blower motors
- > Various switches and sensors

The Company that Makes the Parts Cars are Born With

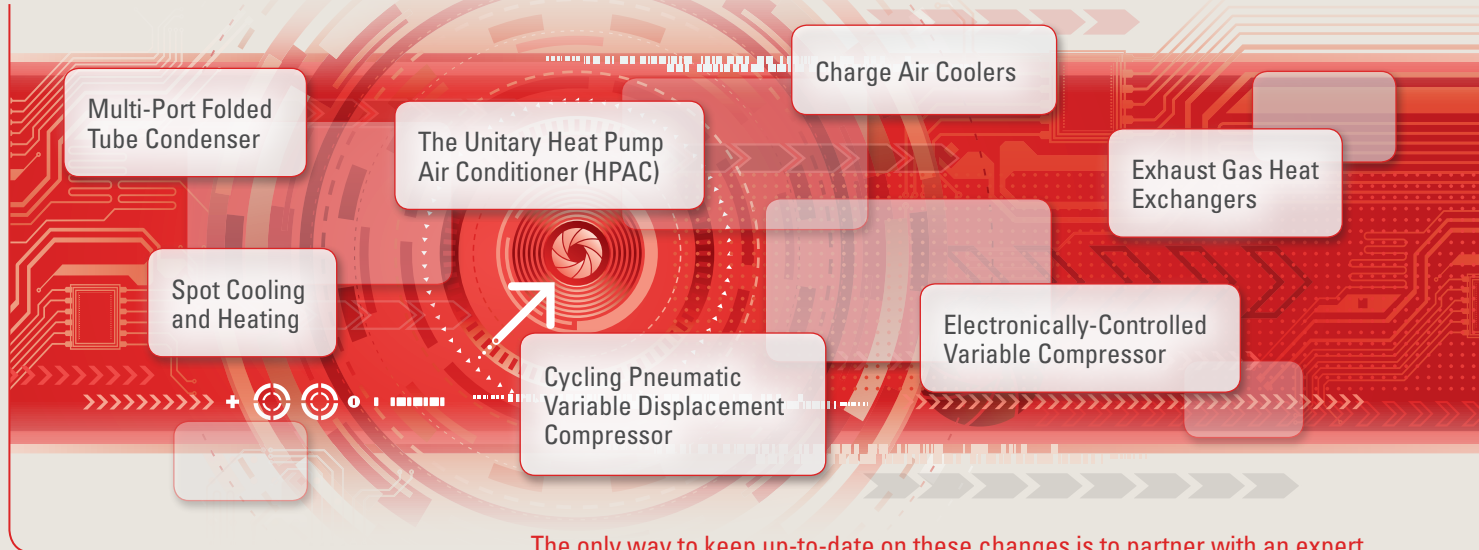
Vehicle manufacturers around the world know they can rely on Delphi's expertise in thermal technology:

Alfa Romeo, Audi, Chevrolet, Citroën, Ferrari, Fiat, Opel, Peugeot, Porsche, Seat, Skoda, Volkswagen

...all choose Delphi climate control technology.

Are you ready? Delphi is!

Technology of the Future



Air Conditioning Module

By joining our Delphi Service Centre Air Conditioning programme, you will gain the technology, know-how and support needed to service and repair today's air conditioning systems quickly, efficiently and profitably. The programme includes:

- OE-level training with courses such as:
 - > Zoned climate control
 - > Air conditioning diagnostics
 - > Refrigerant handling
- Delphi DS tool offering advanced vehicle air conditioning diagnostics:
 - > Individually activate air conditioning components
 - > Calibrate HVAC control units
 - > Air conditioning system reset after component replacement
- Air conditioning service station:
 - > High-precision recovery, recycling and recharging of refrigerant gases
 - > Conventional and hybrid vehicles
 - > Nitrogen testing
 - > Option for HFO gas

- Specialist tool training enabling you to work safely and efficiently on the vehicle:
 - > Pipe fitting kits
 - > Valve core kits
 - > UV and electronic leak detectors
 - > Anti-bacterial treatment
- Comprehensive technical support including access to our on-line information database and a technical hotline
- Up to date information on the very latest industry developments such as refrigerant gas legislation
- Access to our range of OE parts including:
 - > Compressors, radiators, condensers, blower motors, receiver driers and cabin air filters

Delphi Inside

Delphi has also developed a programme which takes the technology from our OE factories and brings it to the aftermarket. OE compressor technology is installed in shells designed to fit a wide-range of aftermarket vehicles. This allows these older vehicles to benefit from current high-efficiency, low-emissions technology.

**The right tools to help you do the right repairs for your customers!
Join the Delphi Service Centre network today!**



**Interested?! You should be!
Don't miss out on this exciting opportunity.
Contact your Delphi representative or visit delphi.com/am
for details on how to join the Delphi Service Centre network.**

